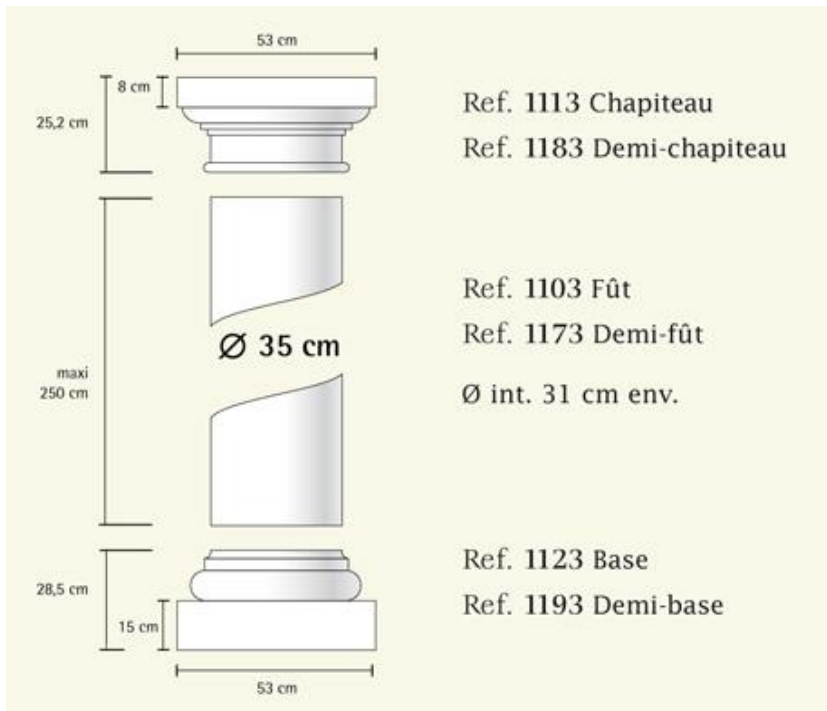


**KIT35LISSE / SMOOTH COLUMN (KIT 35CM)**

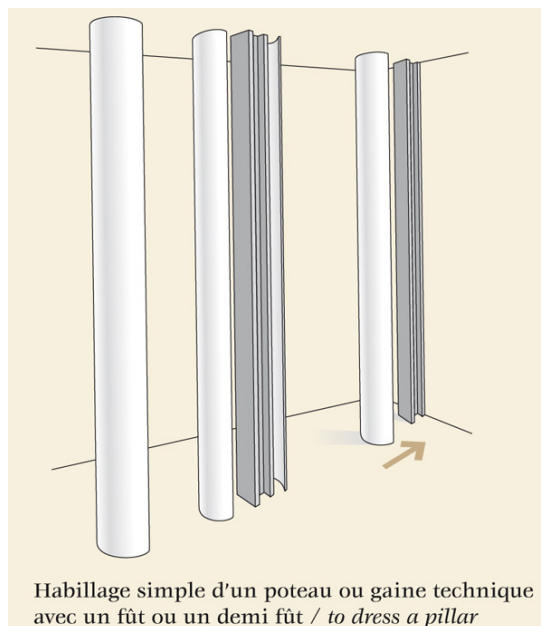


35cm diameter column and half-column.

Consist of one base (or half base), one shaft (or half shaft) and one capital (or half capital).

Half-columns may be used alone as decoration against a wall, or two by two to dress a pillar.

Discover the whole Kit Columns collection



Habillage simple d'un poteau ou gaine technique avec un fût ou un demi fût / *to dress a pillar*